

JHS-182 AIS CH MANAGEMENT

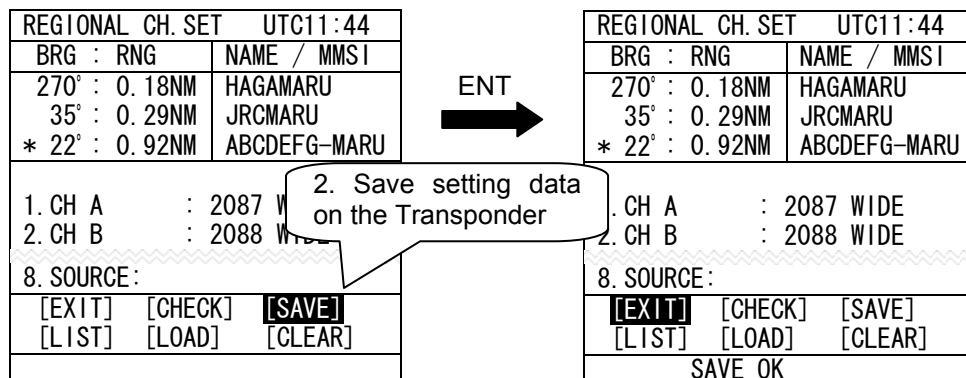
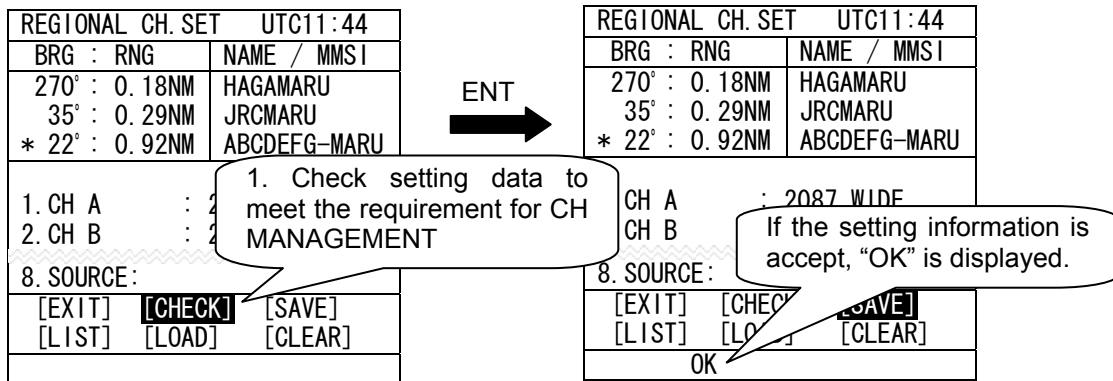
A, Manual setup for CH MANAGEMENT

1. Press MENU key then select 4.SET UP - 3.REGIONAL CHANNEL SETTING
2. Input channel information
3. Select TX POWER
4. Input ZONE SIZE
5. Input AREA

REGIONAL CH. SET		UTC11:44
BRG : RNG	NAME / MMSI	
270° : 0.18NM	HAGAMARU	
35° : 0.29NM	JRCMARU	
* 22° : 0.92NM	ABCDEFGG-MARU	
1. CH A : 2087 WIDE		
2. CH B : 2088 WIDE		
3. TX/RX MODE: TX/RX, TX/RX (CH A, CH B)		
4. TX POWER : HIGH		
5. ZONE SIZE : 1NM		
6. AREA (NE) :N 2° 39.70'		
E 105° 06.80'		
7. AREA (SW) :S 0° 40.20'		
E 101° 46.70'		
8. SOURCE:		
[EXIT]	[CHECK]	[SAVE]
[LIST]	[LOAD]	[CLEAR]

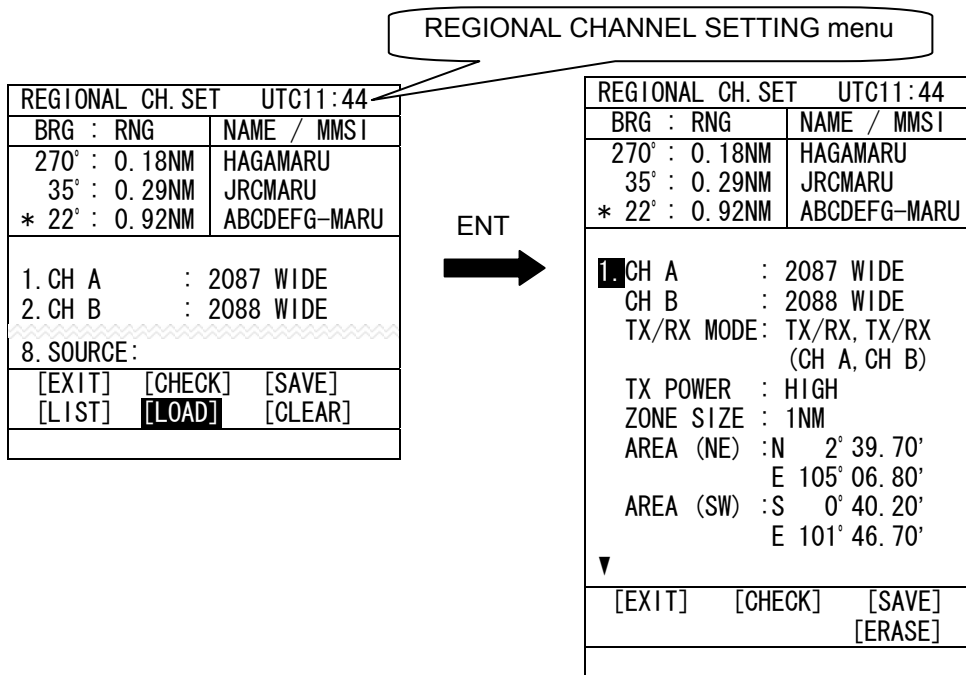
B, Check & Save the CH MANAGEMENT information

1. Bring the cursor on [CHECK] and press the Jog Dial, then "OK" is displayed
2. Bring the cursor on [SAVE] and press the Jog Dial, then "SAVE OK" is displayed



C, Recall the existing CH MANAGEMENT information

1. Press MENU key then select 4.SET UP - 3.REGIONAL CHANNEL SETTING
2. Bring the cursor on [LOAD] and press the Jog Dial



3. The preservation list of manual inputs is displayed, then rotate the Jog Dial and press it
4. Bring the cursor on [CHECK] and press the Jog Dial, then "OK" is displayed
5. Bring the cursor on [SAVE] and press the Jog Dial, then "SAVE OK" is displayed

