

JRC MARINE LCD RADAR

3cm, 1.5ft, 2kW, 6in LCD, 16nm

RADAR 1500MKII

*When Your Ship Comes IN...
Make Sure It Has The JRC Radar System!*

*Higher Output Power
Enhanced Bearing Discrimination*



- Higher Power (2kW) and 1.5ft antenna provide quality picture and easy discrimination of targets.
- Exclusive JOG DIAL and JOY STICK
Easy operation for GAIN/RANGE/TUNING/SEA/RAIN Settings and MENU items.
- High Speed Antenna
Continuous up-to-date picture for speedboats.
- Location Pointer
Range, Bearing and L/L information (from NMEA 0183 output devices).



FEATURES

- Easy Operation Using JOG DIAL and JOY STICK.
- Safely Enclosed Rotating Antenna.
- Provides Essential Information for Range, Bearing and Latitude/Longitude.*
- Easy to use cursor for determining Precise Readings.
- Compact and Lightweight.
- Timed Transmission Mode saves Power.
- 1/4 Radius Offset Increases Look Ahead Range.
- English, French, Spanish, German, Norwegian and Italian Language Capability.
- Automatic Tuning Feature.
- Relative, Magnetic, and True Bearing Readouts for determining Bearing Lines and Waypoint.*
- Dual IF Bandwidth for high selectivity.
- On-Screen "Trail Function" for Observing the Relative Course of Moving Targets.
- Many On-Screen Indicators show your own Ship's Position, Cursor position with Latitude/Longitude, Ship's Course, Range/Bearing to Waypoint with Latitude/Longitude, etc.*

*This requires data in the NMEA 0183 sentence.

SPECIFICATIONS

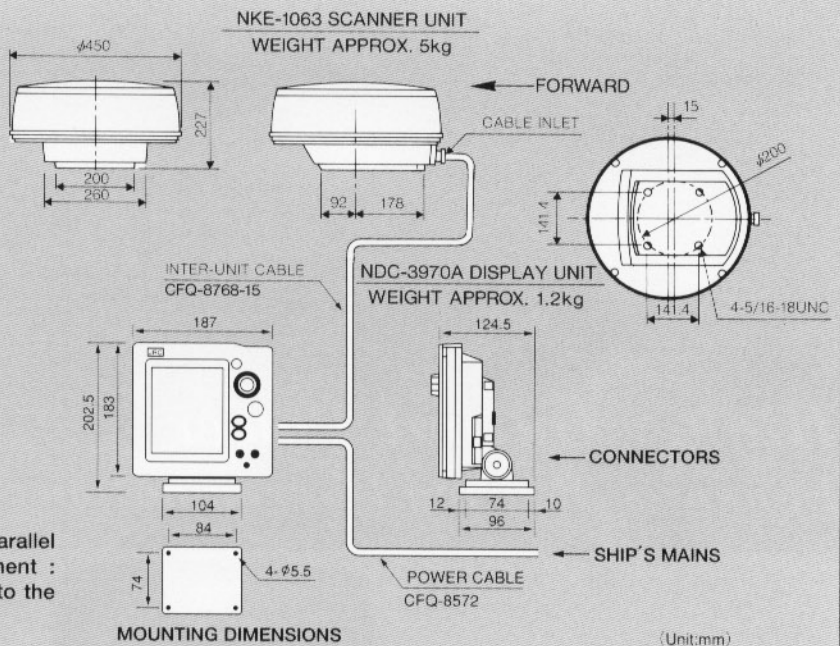
SCANNER UNIT

Radome type	1.5' Diameter
Antenna beam width	Horizontal 5.2°, Vertical 30°
Rotation speed	Approx. 32rpm
Transmitting Frequency	9445MHz±30MHz
Peak power	2kW
Pulse width/PRF	0.08μs/2250Hz, 0.3μs/1200Hz, 0.8μs/600Hz
IF bandwidth	10MHz/3MHz

DISPLAY UNIT

Display	6" monochrome LCD (320×240dots)
Display Presentation Mode	Head-Up
Range scales	1/8, 1/4, 1/2, 3/4, 1, 1.5, 3, 6, 12, 16NM
Range rings	1/16, 1/8, 1/4, 1/4, 1/4, 1/4, 1/2, 1, 2, 4NM
Minimum range	Less than 25m on the 0.125nm range
Range discrimination	Less than 25m
Range ring accuracy	Better than ±0.9% of maximum range of the scales in use, or 8m, whichever is the greater
Bearing accuracy	±1°
Power input	12VDC (10.2-16VDC), approx 30W
Power supply	Floating AVR system

CONNECTION DIAGRAM



Inter-Unit cable
CFQ-8768-15 15m standard
CFQ-8571-10 10m option
CFQ-8768-20 20m option

<Cable supplied is a nominal length overall>

The Inter-Unit cable should not run in parallel with the cable for any other radio equipment : otherwise, the radar could give interference to the radio equipment.

● Specifications subject to change without notice. For further information, contact:

JRC Seattle Branch: 1011 SW Klickitat Way Bldg. B,
Suite 100, SEATTLE, WA98134, U.S.A.
Telephone: +1-206-654-5644
Facsimile: +1-206-654-7030
Homepage <http://www.jrcamerica.com>

JRC Amsterdam Branch: Cessnalaan 40-42, 1119 NL,
Schiphol-Rijk, THE NETHERLANDS
Telephone: +31-(0)20-658-0750
Facsimile: +31-(0)20-658-0755



Since 1915

Japan Radio Co., Ltd.

URL <http://www.jrc.co.jp/>

Main Office: Nittochi Nishi-Shinjuku bldg.
10-1, Nishi-Shinjuku 6-chome
Shinjuku-ku, Tokyo 160-0023, Japan
Telephone: +81-3-3348-4099
Facsimile: +81-3-3348-4139

Overseas Branches : Seattle, Amsterdam
Liaison Offices : Taipei, Manila, Jakarta, New York,
Piraeus